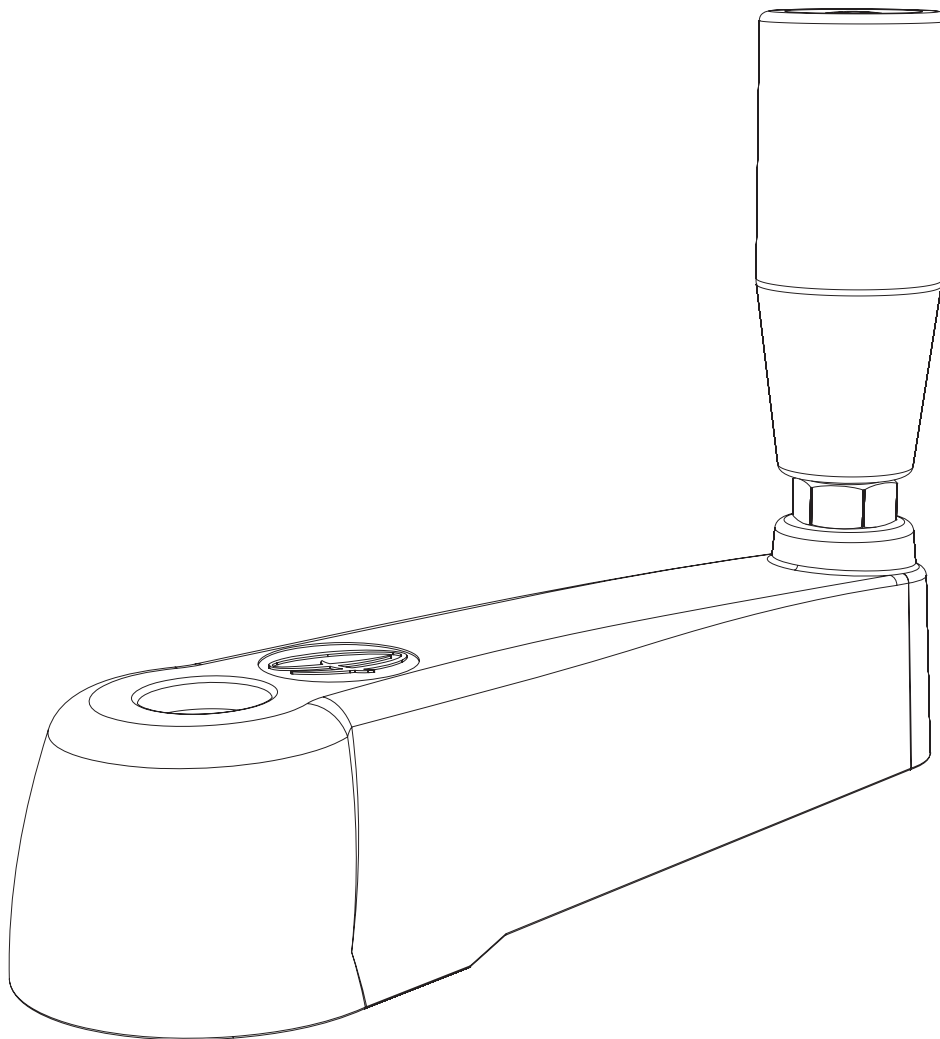


TEN-300

Tennis Torque Limiter



IMPORTANT: Please read these operating instructions carefully before using your torque limiter

Code TEN-300

Product Tennis Torque Limiter



Pack Contents

Tennis Torque Limiter

1. Torque Limiter Handle
2. 1/4" x 1" Button Head Screw
3. 6mm Hex Key
4. 4mm Hex Key

Tools Required

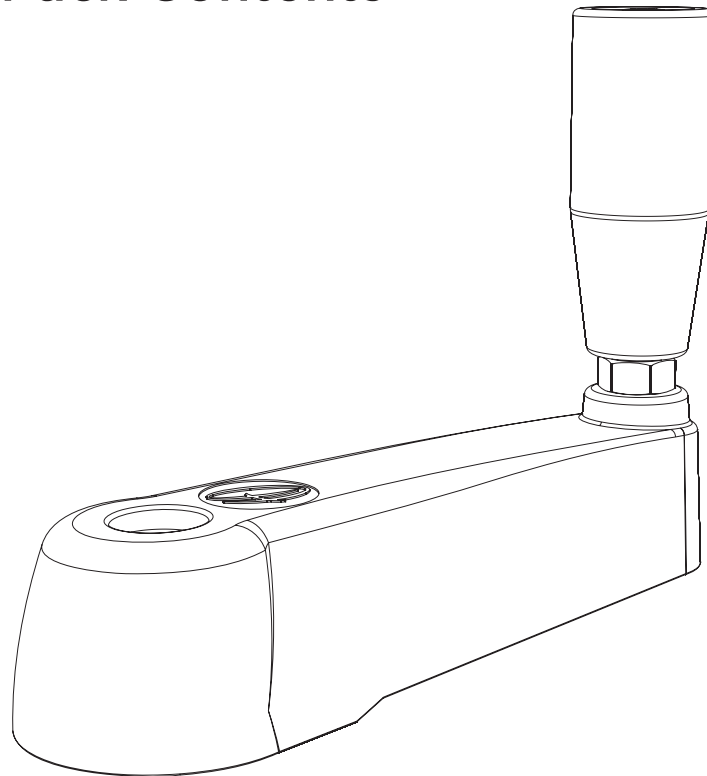


1 x 6mm Allen Key (supplied)



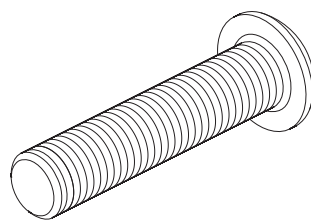
1 x 4mm Allen Key (supplied)

*parts are not to scale



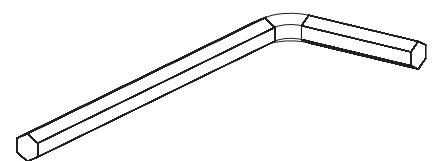
1.
x1

Torque Limiter Handle



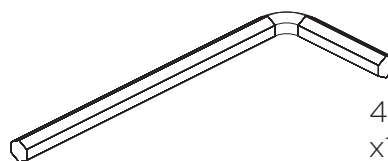
2.
x1

1/4" Button Head Screw



3.
x1

6mm Hex Key



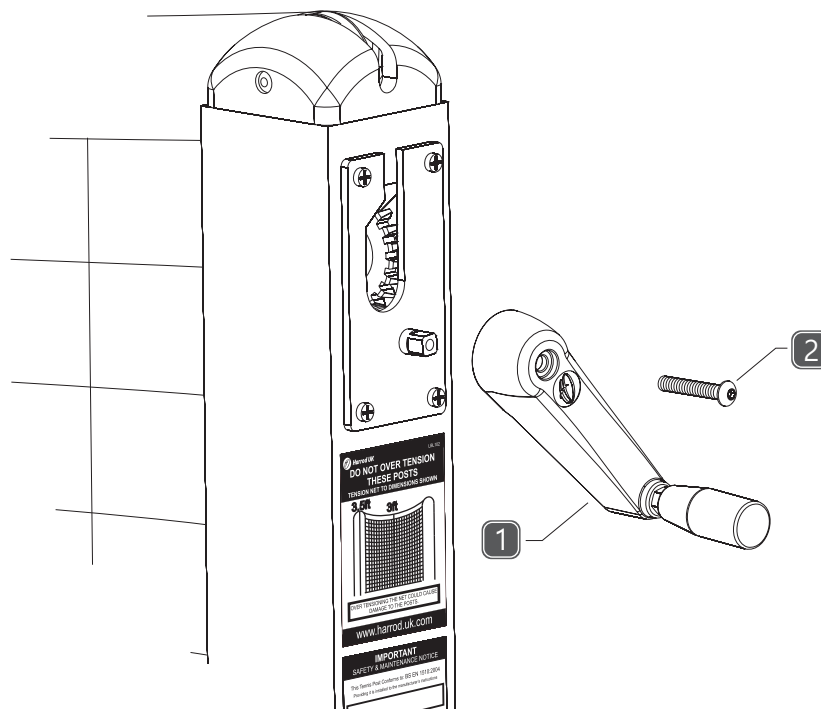
4.
x1

4mm Allen Key

Assembly Instructions



- 1 Leaving the net fully tensioned, remove the fixed brass handle from the Winder. Attach the Torque Limiter Handle (1) to the winder using the 1/4" Button Screw (2).

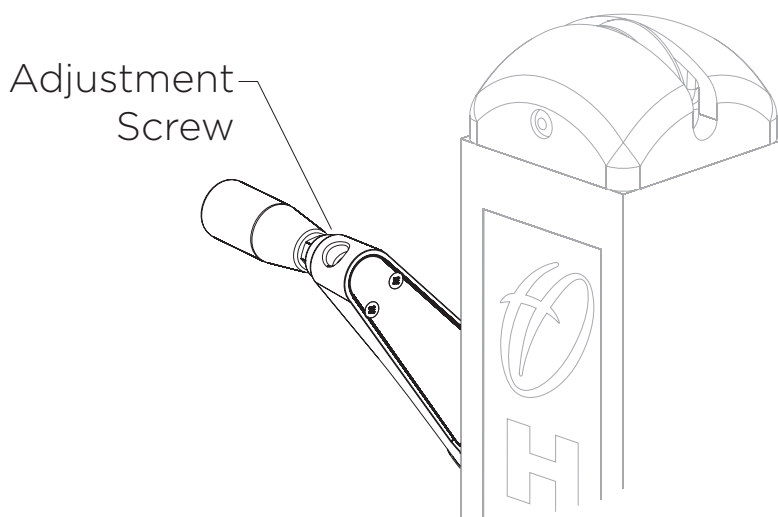


Calibration Instructions

- 1 Remove any net bands from the centre of the net and, using the Torque Limiter Handle, reduce the net tension such that the net sits at 800-900mm, just below regulation height.

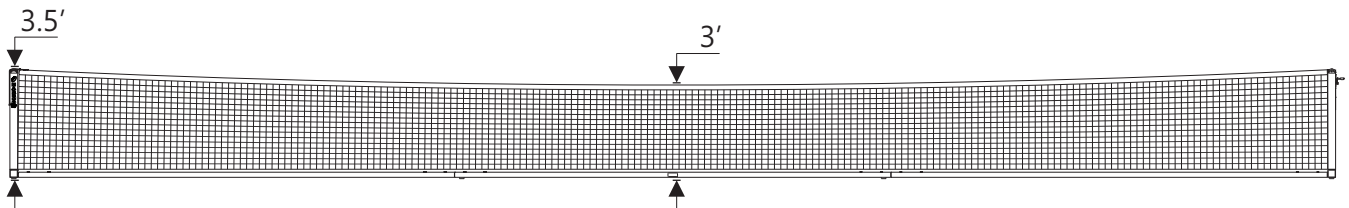


- 2 Using the 4mm Allen Key (4), turn the adjustment screw to sit flush with the brass insert. Wind the handle to add tension to the net, at which point the limiter will "slip".



3 Tighten the adjustment screw by 1/4 turn and wind the handle again until the limiter slips. Repeat this process until the net sits at regulation height (914mm) or just above, fine adjust the limiter by turning the adjustment screw minimally. Ensure the limiter does not allow the net to be over tensioned.

4 Remove the net tension and wind the net up again until the limiter slips. Check the height meets the above criteria. If not, tweak the adjustment screw as necessary. Repeat until the net can be unwound and re-tensioned to the desired height consistently.



5 Reattach any net bands, adjusting to ensure the centre of the net sits 914mm (3') from the ground.

6 To remove the Torque Limiter, fully tighten the adjustment screw then remove the 1/4" Button screw holding the Limiter in place.